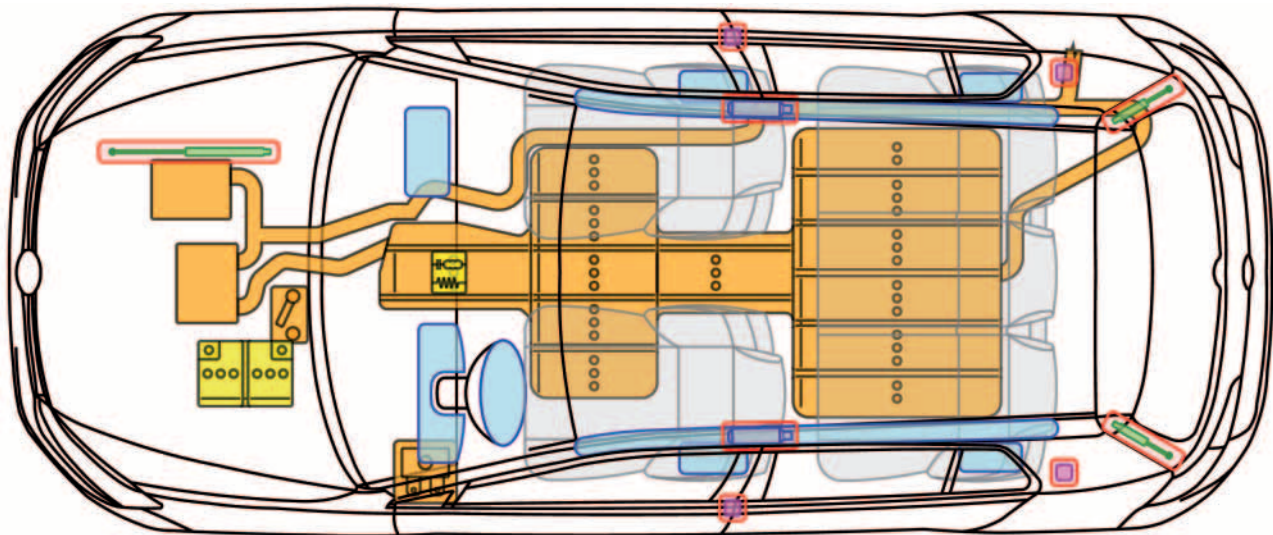


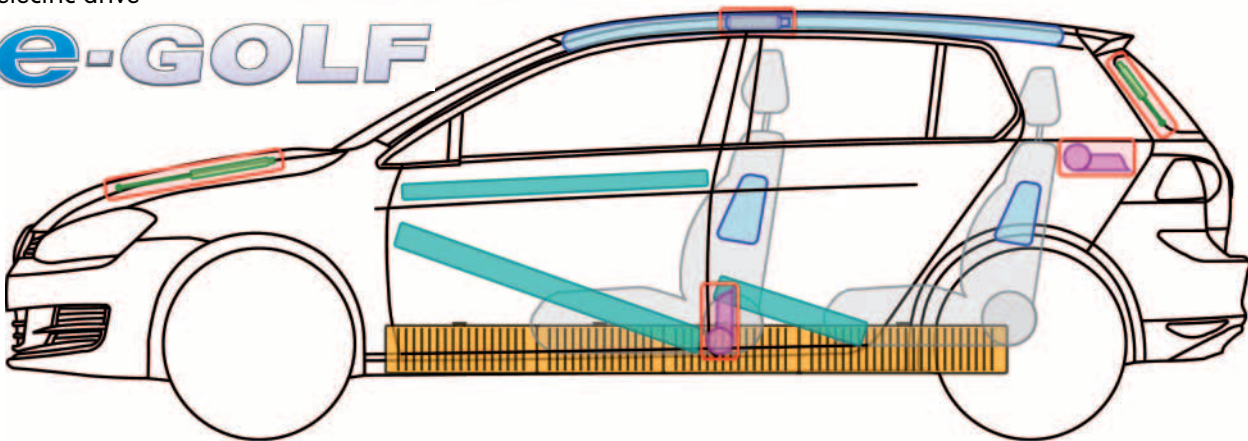


e-Golf 7 (from 2014)















electric drive

e-GOLF



Key

	Airbag		Body reinforcement		Control module		High-voltage battery
	Gas generator		Fuse panel		12V battery		High-voltage component/wiring
	Belt tensioner		Gas strut		Fuel tank		High-voltage disconnecting point



e-Golf 7 (from 2014)

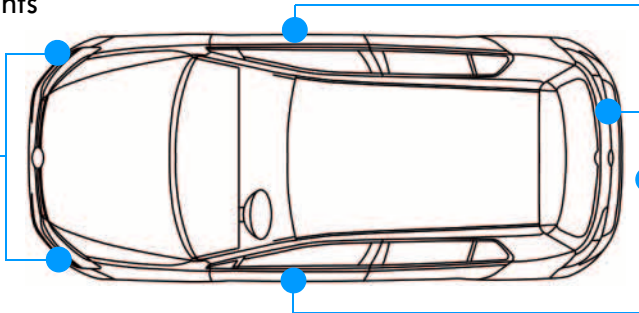


e-Golf 7 (from 2014)



Vehicle identification

Curved LED lights
in the bumper



Name badge on doors
and rear hatch

Prevent the vehicle from rolling

1. Put the selector lever in the Park (P) position.
2. Apply the parking brake.

Deactivate the drive and the high-voltage system

Deactivating the drive and the high-voltage system

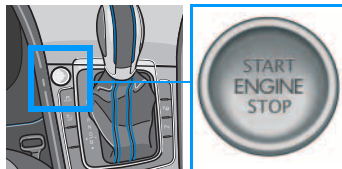
(when the ignition and fuse panel can be accessed from the interior)



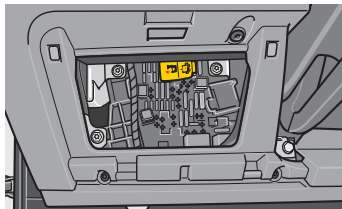
1. Turn the ignition key to the "OFF" position and remove it, or press the "Start Engine Stop" button.



Once the airbag control module has discharged (approximately 4 seconds), passive safety systems such as the airbags and belt tensioners are deactivated by turning the key to the "OFF" position. The airbags could deploy before the airbag control module discharges if the airbag system is damaged.



2. Remove the storage compartment above the fuse panel on the left. Pull out the marked fuse. (yellow flag)



The high-voltage system will be de-energized about 20 seconds after deactivation. The passive safety systems such as airbags and belt tensioners are then deactivated.



(2E 010 967D)

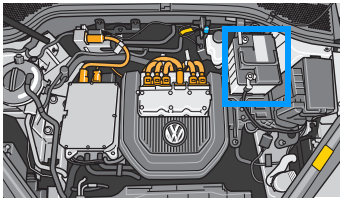


e-Golf 7 (from 2014)

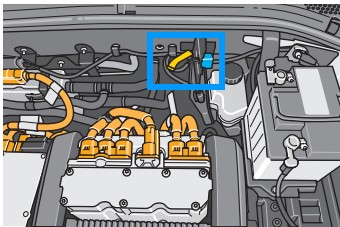


Deactivate the drive and the high-voltage system

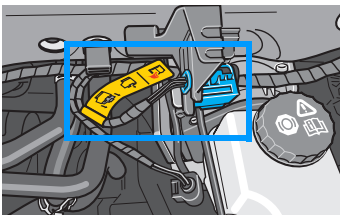
Deactivating the drive and the high-voltage system
(when the engine compartment is accessible).



1. Disconnect the 12 V battery



2. Locate the First Responders disconnecting point



3. Open the First Responders disconnecting point
The procedure is described on the tag.



The high-voltage system will be de-energized about 20 seconds after deactivation. The passive safety systems such as airbags and belt tensioners are then deactivated.



Volkswagen e-Golf EV Hotline: 855 367-8987 (855 EMS-VWUS)

Vehicles connected to charging pillars

Unlock the vehicle. Disconnect the charging cable from the vehicle and, in the event of a severe accident, deactivate the vehicle's high-voltage system (see “Deactivating the vehicle”).