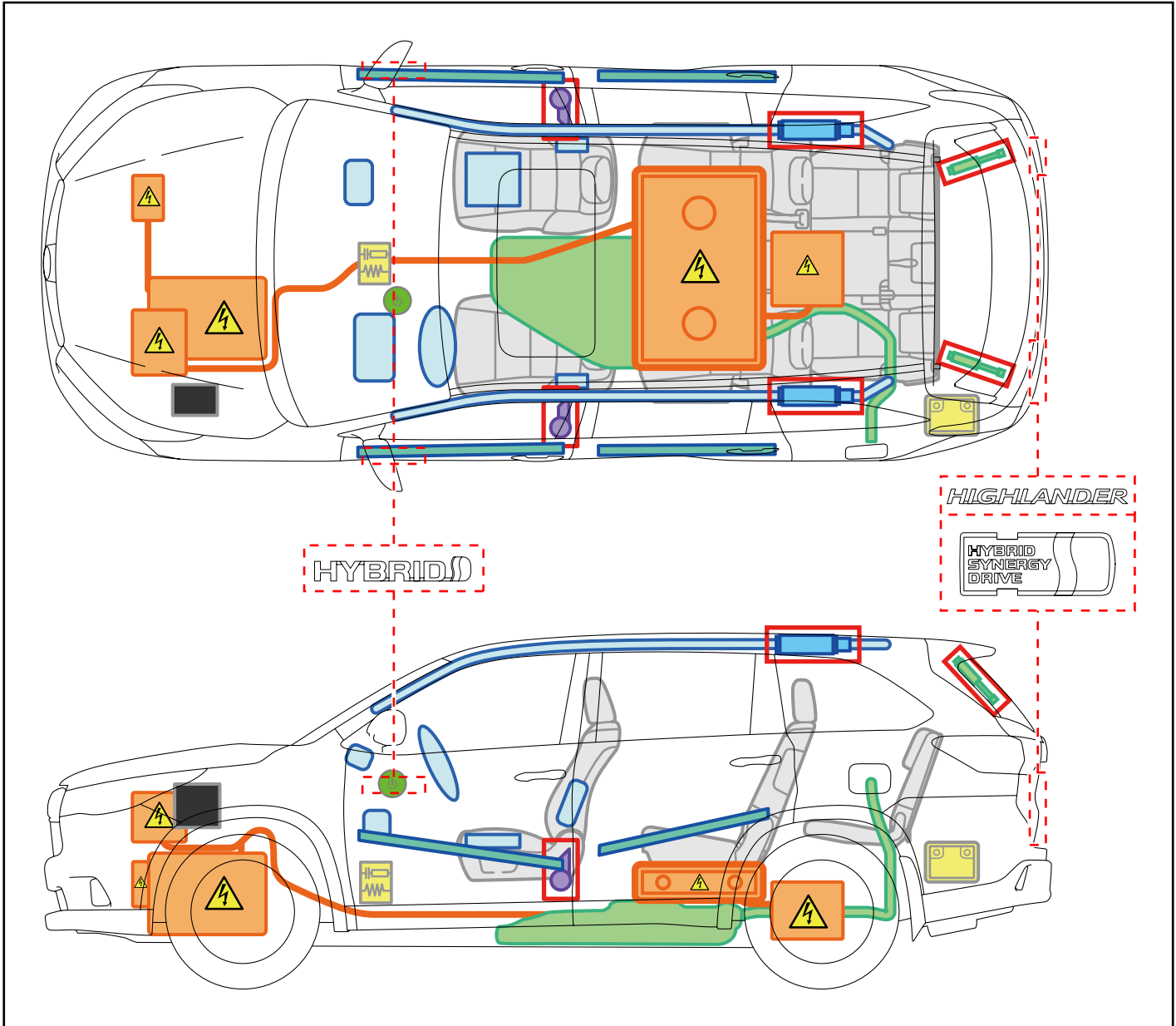
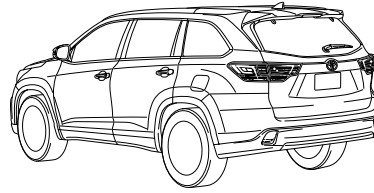
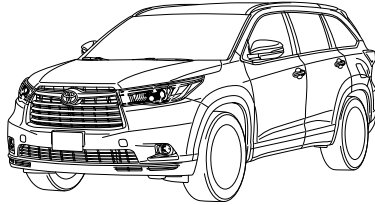


# HIGHLANDER HYBRID

## Emergency Response Quick Reference

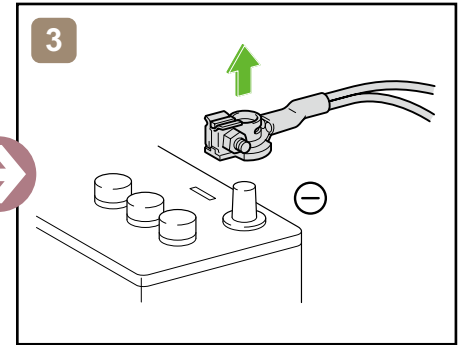
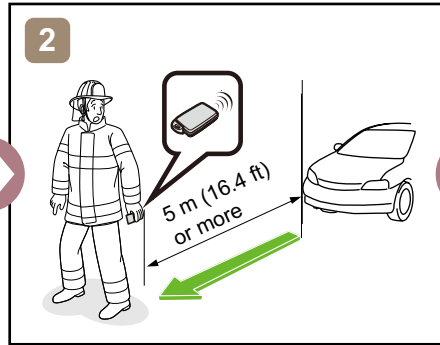
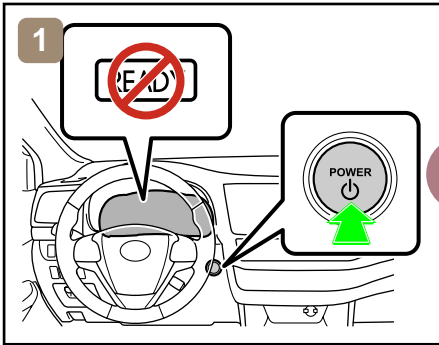
MY: 2014 -



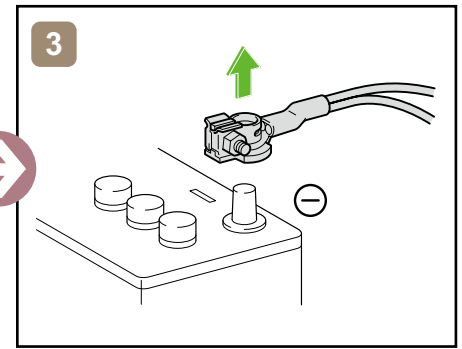
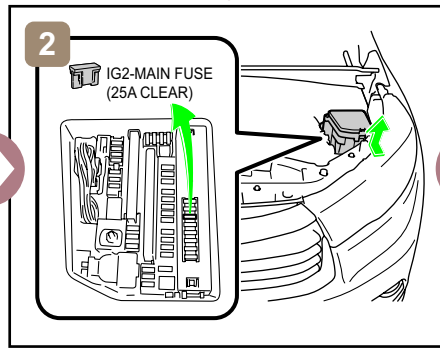
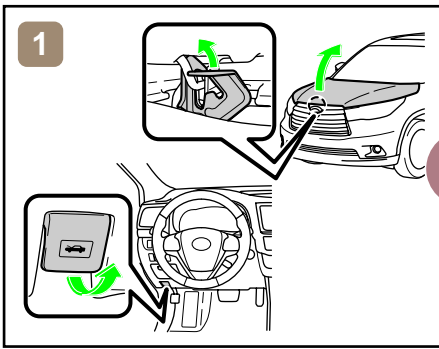
	<b>IG/POWER SW</b>		<b>Fuse Box</b>		<b>12V Battery</b>
	<b>Airbag (incl. Inflator)</b>		<b>Inflator</b>		<b>High Voltage Battery</b>
	<b>High Voltage Components</b>		<b>Fuel Tank</b>		<b>Gas-filled Damper</b>
	<b>Seat Belt Pretensioner (Gas Generator)</b>		<b>Structural Reinforcements</b>		<b>Airbag Computer</b>
-	-	-	-	-	-



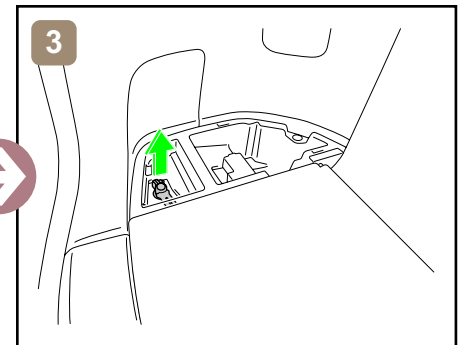
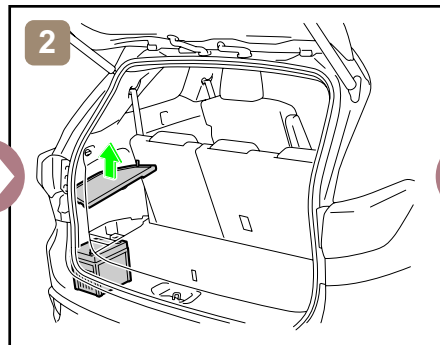
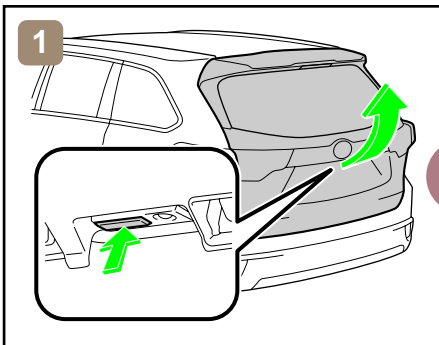
## Disable Vehicle



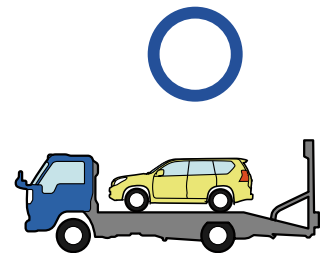
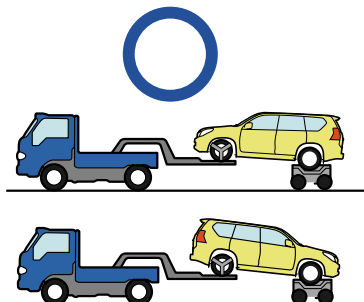
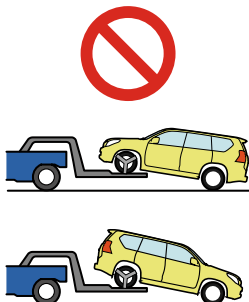
or



## Access to 12V Battery



## Towing Information



For more details, please refer to the "Emergency Response Guide".  
<http://www.techinfo.toyota.com>