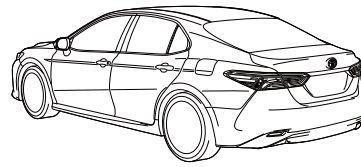
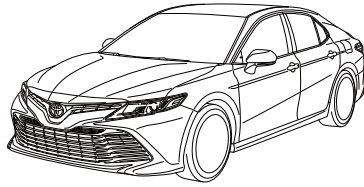


CAMRY HYBRID

Emergency Response
Quick Guide

MY: 2018 -

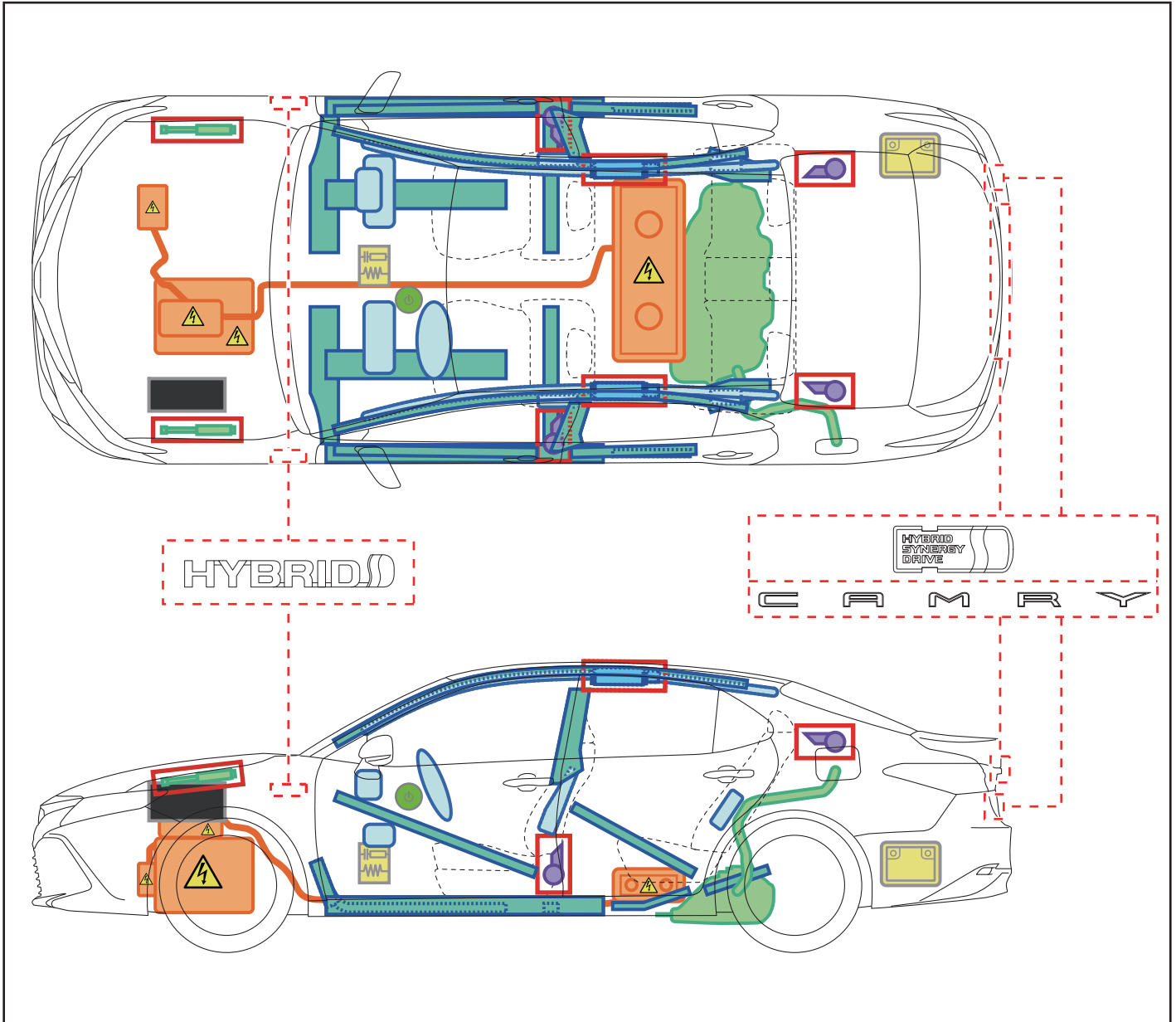


TOYOTA



HV BATTERY
Ni-MH

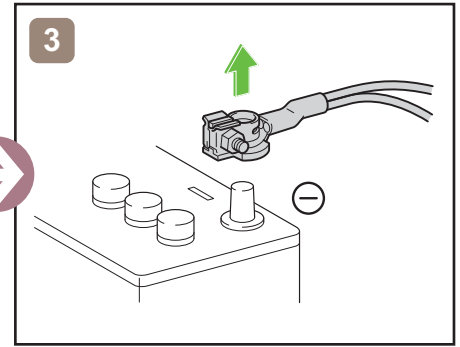
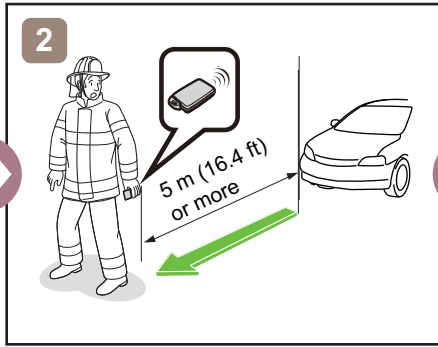
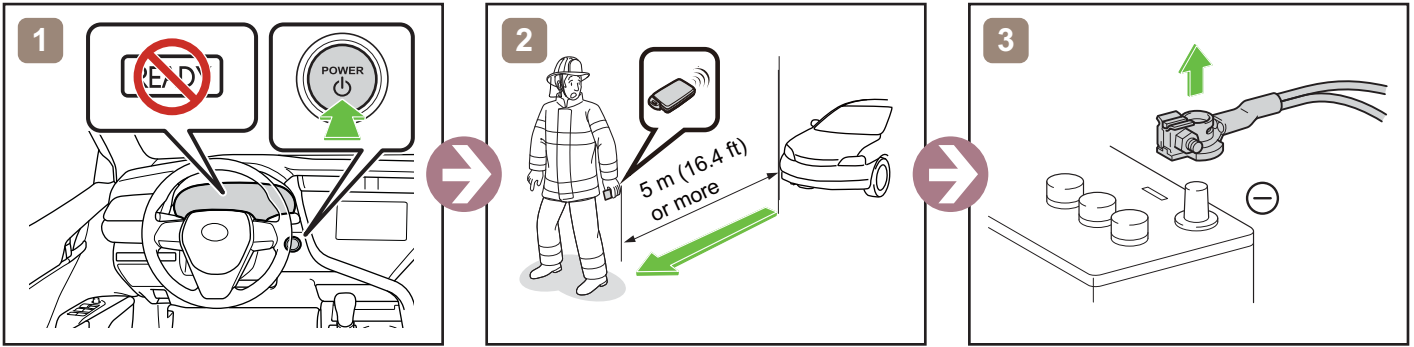
HV BATTERY
Li-ion



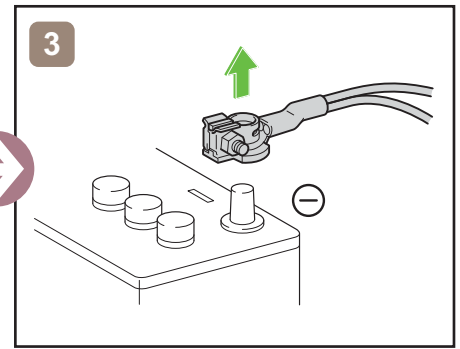
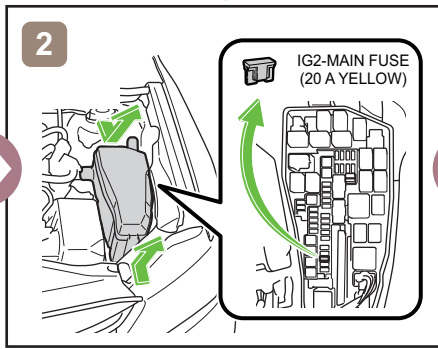
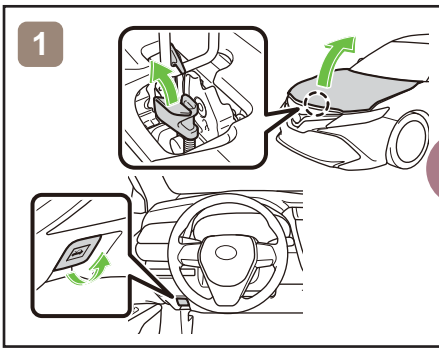
	IG/POWER SW		Fuse Box		12V Battery
	Airbag (incl. Inflator)		Inflator		High Voltage Battery
	High Voltage Components		Fuel Tank		Gas-filled Damper
	Seat Belt Pretensioner (Gas Generator)		Structural Reinforcements		Airbag Computer
-	-	-	-	-	-

CAMRYHV70_LHD_1

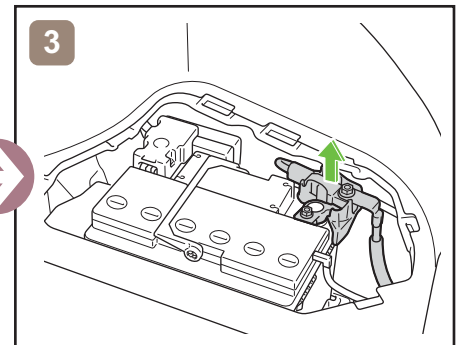
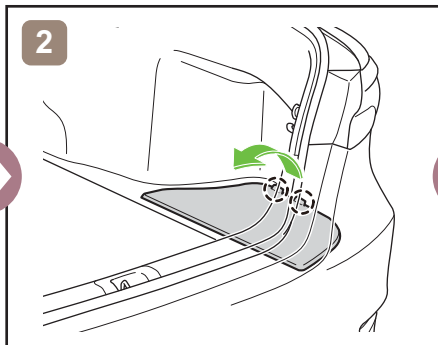
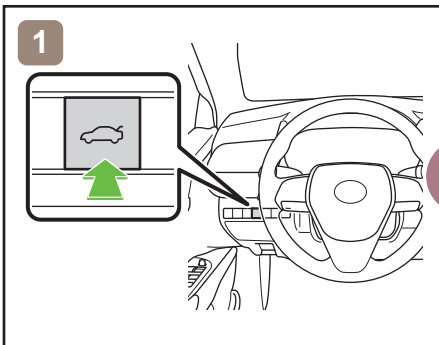
Disable Vehicle



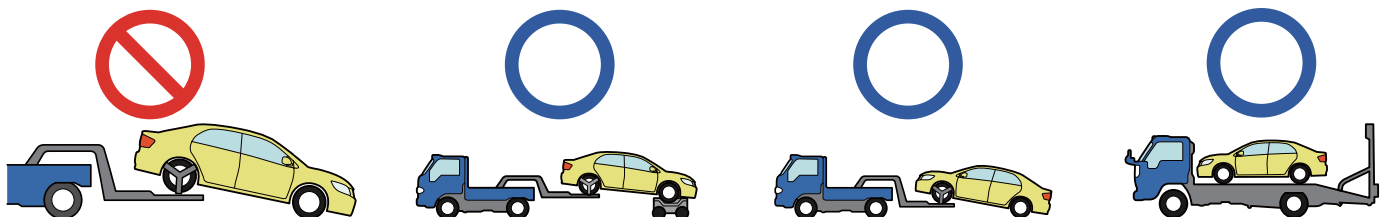
or



Access to 12V Battery



Towing Information



More details, please refer to "Emergency Response Guide".
<http://www.technifo.toyota.com>