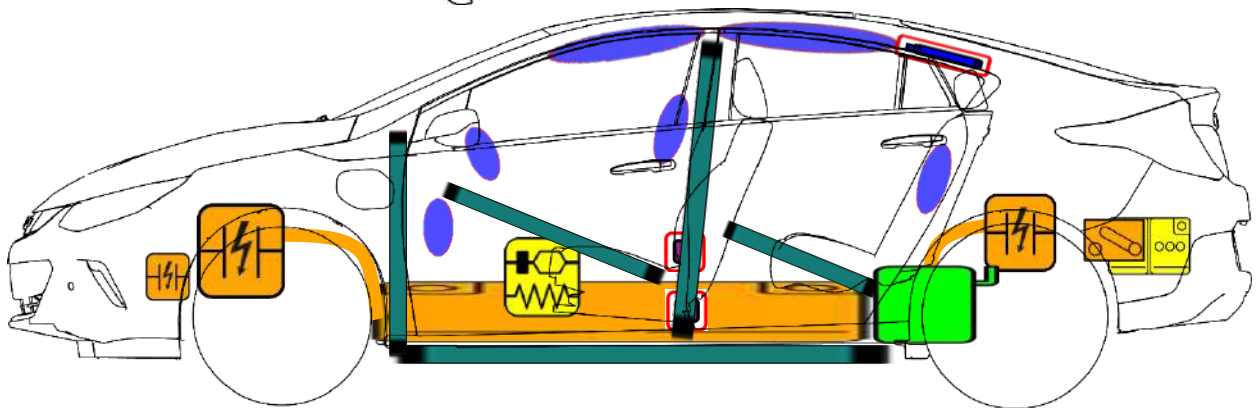
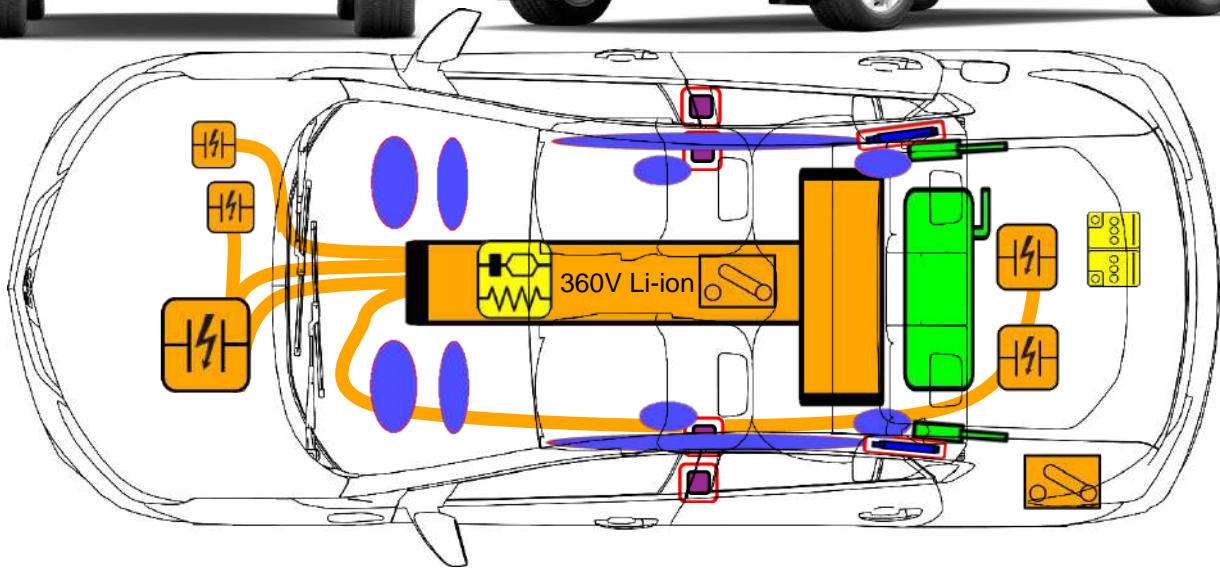




Chevrolet Volt  
5 Door Hatchback  
2016

First Responder  
Rescue Sheet



	Air Bag		Stored Gas Inflator		Seat Belt Pretensioner		SRS Control Unit		
			Gas Strut/Preloaded Spring		High Strength Zone				
	Battery Low Voltage				Fuel Tank				
	High Voltage Battery Pack		High Voltage Power Cable		High Voltage Disconnect				Ultra Capacitor, High Voltage



# Chevrolet Volt 5 Door Hatchback 2016

# First Responder Rescue Sheet

The Chevrolet Volt Extended Range Electric Vehicle (EREV) technology incorporates a low voltage battery that must be disconnected prior to occupant extrication.

## To Disable the Vehicle:

1. Turn the ignition to "OFF" and remove the keys from the vehicle.
2. Double cut all positive 12 volt cables connected at the yellow tape located behind the storage cover panel on the left side of the rear compartment.

**EMERGENCY PERSONNEL:**  
To help avoid personal injury in an emergency.  
• Turn ignition to "OFF".  
• Cut all positive cables connected at yellow tape (located behind fuse access panel in rear compartment area).

**SERVICE PERSONNEL:**  
To help avoid personal injury during vehicle service, disconnect both battery locations (see diagram).

**PERSONNEL AFFECTÉ AUX URGENCES :**  
Afin d'éviter toute lésion personnelle, effectuer ce qui suit en cas d'urgence :  
• Mettre la clé de contact sur « OFF » (arrêt).  
• Couper tous les câbles positifs connectés au niveau du ruban jaune (situé à l'arrière du panneau d'accès des fusibles dans la zone du compartiment arrière).

**PERSONNEL AFFECTÉ À L'ENTRETIEN :**  
Afin d'éviter toute lésion personnelle pendant l'entretien du véhicule, déconnecter à deux emplacements de la batterie (voir diagramme).

**应急人员:**  
为避免人身伤害, 在出现紧急情况时,  
• 将点火开关置于“关”的位置。  
• 切断在黄色胶带处连接的所有正极线缆 (位于后车厢区的保险丝检修)。  
维修人员:  
为避免在维修车辆时导致人身伤害, 断开两个电池连接位置的连接 (如图所示)。

**PARA EVITAR LESIONES PERSONALES EN UNA EMERGENCIA:**  
• Gire la ignición a "OFF" (apagado).  
• Corte todos los cables positivos conectados en la cinta amarilla (ubicada detrás del tablero de acceso de fusibles en el área del compartimiento trasero).

**PERSONAL DE SERVICIO:**  
Para ayudar a evitar lesiones personales durante el servicio del vehículo, desconecte ambas ubicaciones de la batería (vea el diagrama).

**비상 대응 담당자:**  
비상시 부상방지를 도우려면,  
• 점화스위치 "OFF" 위치로 합니다.  
• 정전색 테이프로 연결된 모든 (+) 케이블을 잘라냅니다. (리어 컴파트먼트 퓨즈 액세스 패널 뒤에 위치함).

**서비스 담당자:**  
차량 서비스 시 부상을 방지하기 위해, 두 배터리 위치를 모두 분리합니다. (해선도 참조).

23157740

15m/50ft

Isolate  
Isoler  
隔離  
Aislar  
격리

US - 800-222-1020  
CAN - 800-263-3777  
CHN - 800-820-1912  
MEX - 800-466-0811  
KOR - 080-3000-5000

24276054

## Air Bag Caution

After disabling 12 volt power, wait at least 10 seconds to allow any undeployed airbag reserve energy to dissipate.

## In Case of Fire

A battery on fire will not explode. If battery cells reach high enough temperature, they vent and release electrolyte. Battery electrolyte is flammable. Use copious amounts of water to cool the battery to extinguish the fire. Do not use an ABC dry chemical extinguisher because it will not extinguish a battery fire.

## In Case of Water Immersion

The high voltage battery is sealed and isolated from the vehicle chassis. If the vehicle is immersed in water, you will not be electrocuted by touching the vehicle.