

# 2011 Compressed Natural Gas (CNG) Chevrolet Express and GMC Savana

## Quick Reference Sheet

### Vehicle Identification

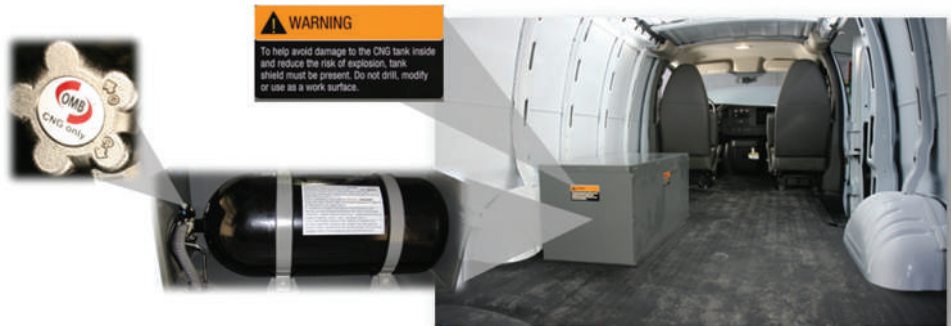
The CNG labels on the outside of the vehicle are located:

- on the lower right side of the rear door
- near the vehicle fuel tank door
- within the gas cap door



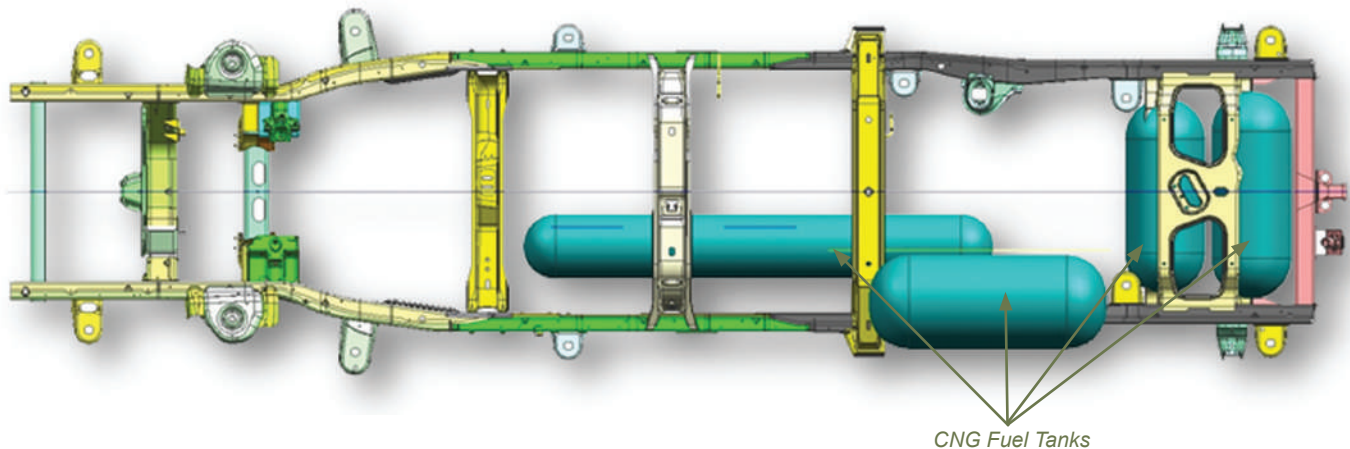
The CNG labels inside of the vehicle are located on:

- tank covers
- the manual valve



### CNG Fuel Tanks

The Savanna and Express are equipped with three CNG fuel tanks and an optional fourth tank, which are mounted in the vehicles. Two tanks are located in tandem behind the rear axle. One tank is located under the vehicle between the axles where the gasoline tank is normally positioned. The optional fourth tank is located in the cargo compartment.



GM Service Technical College provides this QR free of charge to First Responders. This sheet can be displayed in a classroom as long as it is represented as GM information and is not modified in any way.

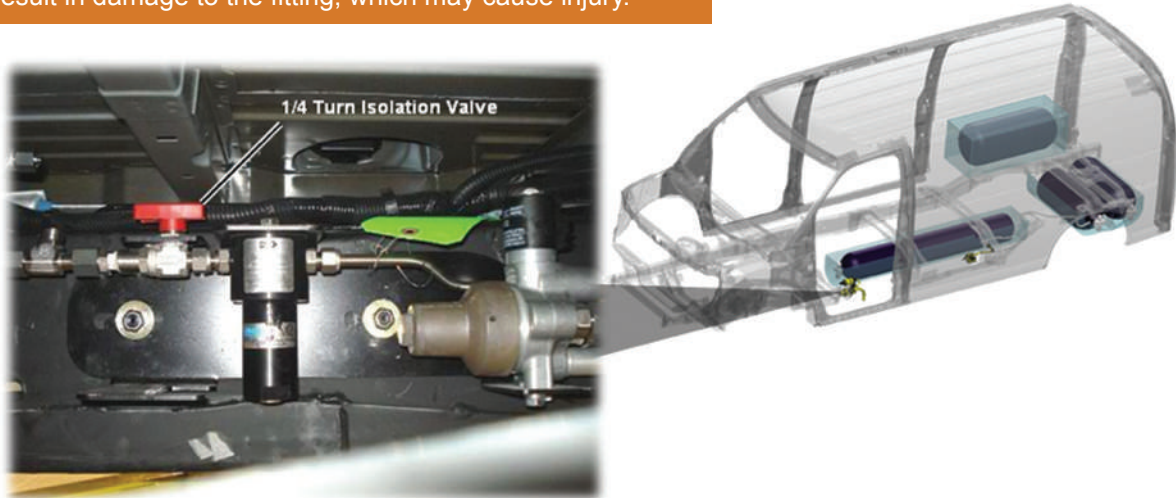
GM's First Responder Guides are available at [www.gmstc.com](http://www.gmstc.com)

For information regarding modification of GM's First Responder Information for other uses, contact GM's Licensing Manager at: GM Licensing Program Headquarters • 5775 Enterprise Ct. • Warren, MI 48092 • Attn: Licensing Coordinator

## CNG Fuel System Leak

If a fuel leak is suspected in the engine compartment, ensure the ignition key is turned to the OFF position. The ¼ turn isolation valve should be turned to the OFF position in order to stop the flow of fuel to the engine compartment. The ¼ turn isolation valve is located under the vehicle, midway between the front and rear tires on the inside of the driver side frame. To turn off the valve, turn the lever ¼ turn clockwise.

**WARNING:** Do **NOT** try to stop a leak by over-tightening any fitting, this will result in damage to the fitting, which may cause injury.



## Disabling 12 Volt Power

Disabling 12 volt power is essential to ensure personal safety even if the airbags in the vehicle appear to have been deployed. After disabling 12 volt power, wait at least 1 minute to allow any un-deployed air bag reserve energy to dissipate.

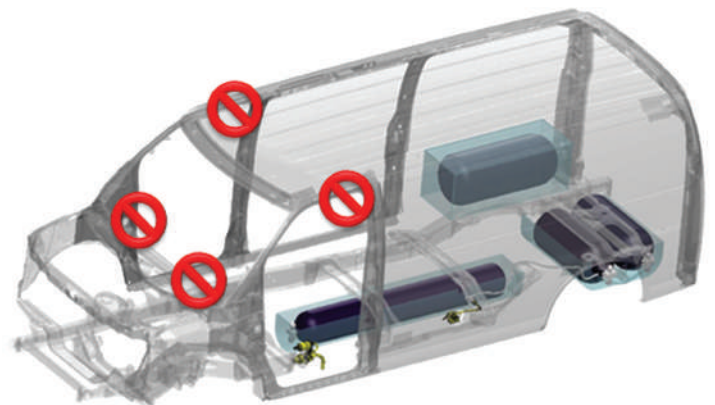


## Vehicle DO NOT CUT ZONES

Do **NOT** cut the following areas of the vehicle which contain airbag modules:

- steering wheel
- front instrument panel, passenger side
- roof rails, front left and right sides
- roof rails, right rear

**WARNING:** Do **NOT** cut into the vehicle until the 12 volt electrical system has been disabled. Cutting into the vehicle prior to disconnecting and isolating the 12 volt electrical energy sources may cause air bag deployment resulting in serious injury.



## First Responder Considerations

### Fire

The CNG fuel within the CNG tanks is flammable. Natural gas only becomes flammable when CNG concentrations are between 5-15% natural gas and oxygen.

In the case of a natural gas fire, stop the fuel flow. If any secondary fires emerge, extinguish natural gas flames using a carbon dioxide or dry chemical fire extinguisher.